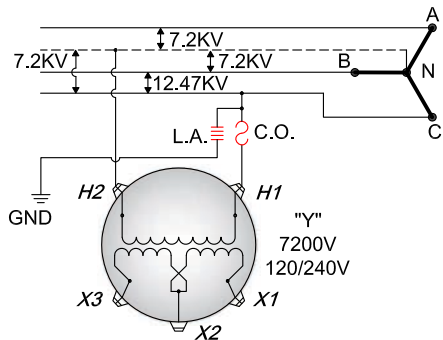


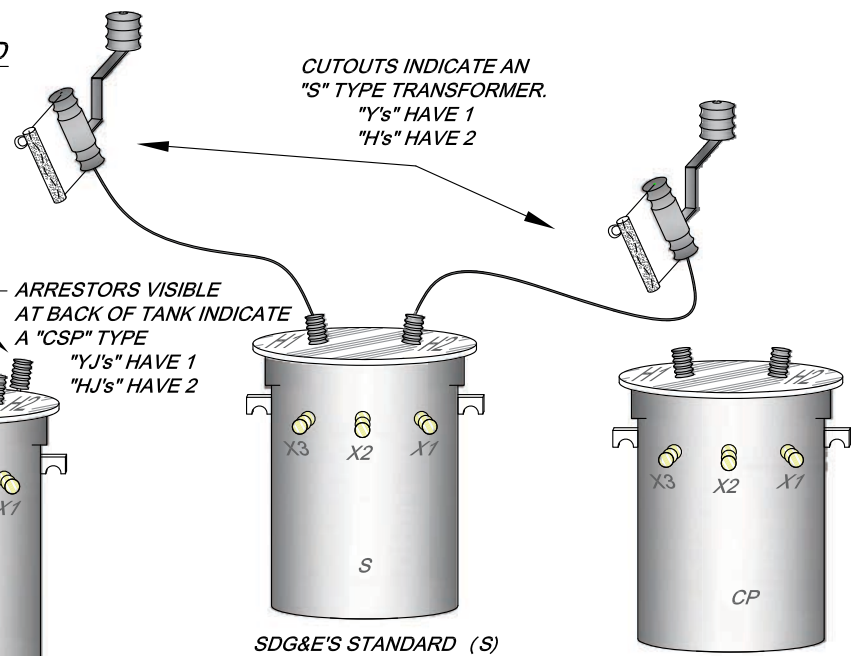
TYPICAL 120/240V SINGLE PHASE OVERHEAD TRANSFORMER TYPES

- S "STANDARD"
- SP "SURGE PROTECTED" (SDG&E DOES NOT USE)
- CP "CURRENT PROTECTED"
- CSP "CURRENT & SURGE PROTECTED" AKA.. "COMPLETELY SELF PROTECTED"

"H" TRANSFORMERS ARE INSTALLED ON A 12KV "DELTA" CONNECTED PRIMARY CIRCUIT. PHASE-PHASE PRIMARY CONNECTION REQUIRES (2) FUSES VIA EXTERNAL CUTOUTS AND (2) ARRESTORS IN CERTAIN CONTAMINATION DISTRICTS



"Y" TRANSFORMERS ARE INSTALLED ON A 12.47/7.2KV "WYE" CONNECTED PRIMARY CIRCUIT. PHASE-NEUTRAL PRIMARY CONNECTION REQUIRES (1) FUSE VIA EXTERNAL CUTOUTS AND (1) ARRESTOR IN CERTAIN CONTAMINATION DISTRICTS

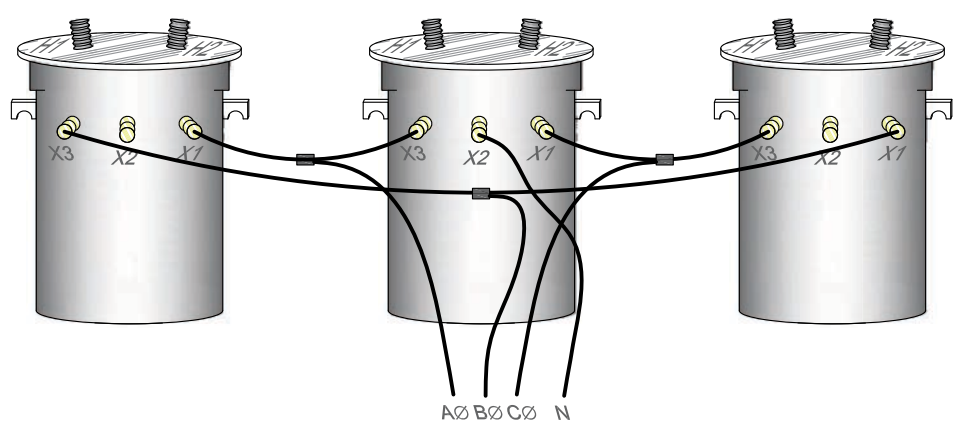
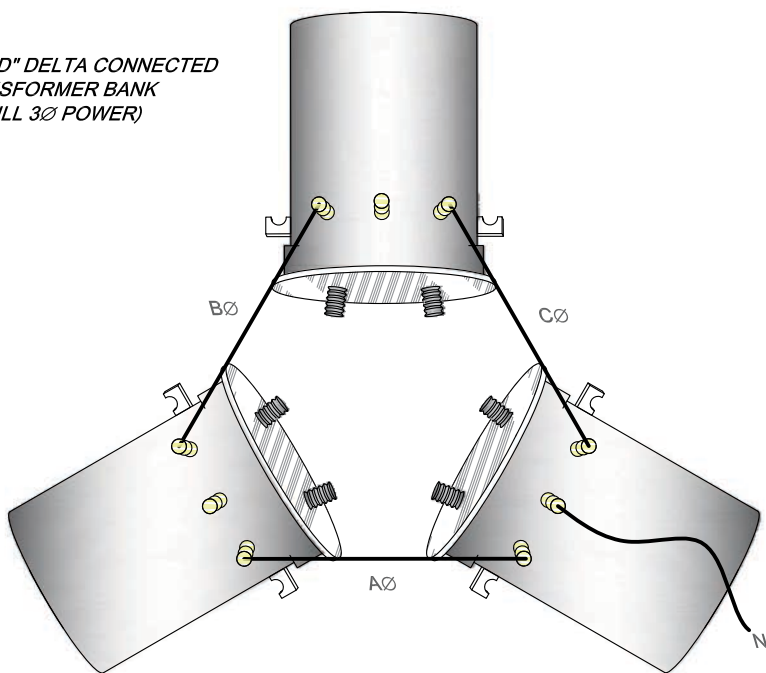


- SDG&E'S CURRENT & SURGE PROTECTED (CSP) TRANSFORMERS "HJ" or "YJ" TYPE
- INTERNALLY FUSED (NOT VISIBLE)
 - ARRESTORS ATTACHED TO TANK

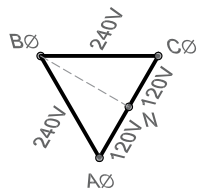
- SDG&E'S STANDARD (S) TRANSFORMERS "H" or "Y" TYPE
- EXTERNALLY FUSED (VIA CUTOUTS)
 - EXTERNALLY ARRESTED

- SDG&E'S CURRENT PROTECTED (CP) TRANSFORMERS "HE" or "YE" TYPE
- INTERNALLY FUSED
 - NO ARRESTORS VISIBLE
 - NO CUTOUTS VISIBLE

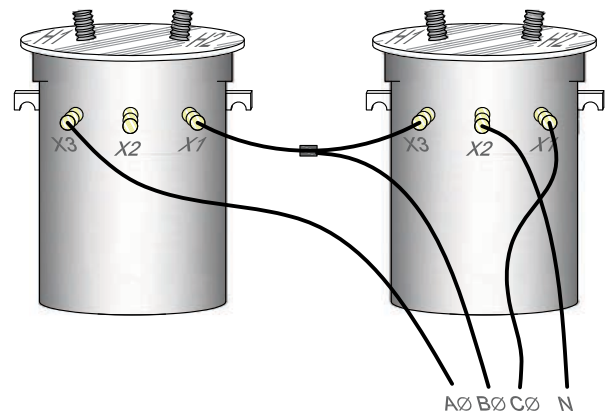
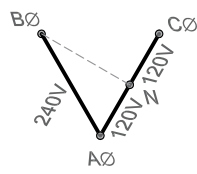
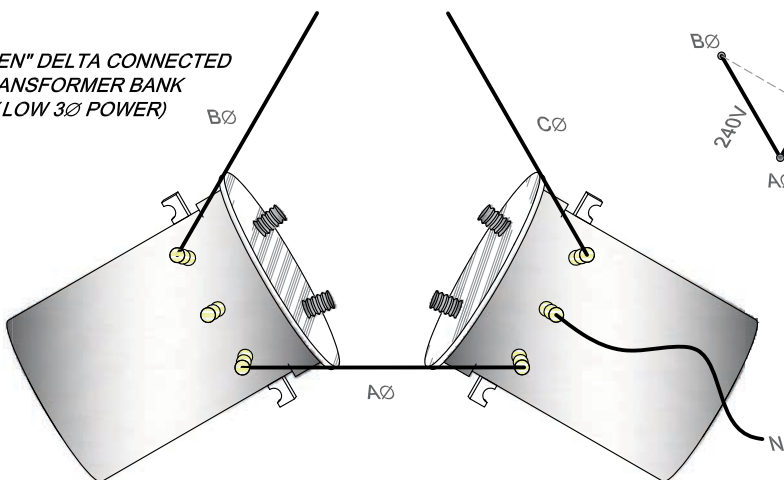
3Ø "CLOSED" DELTA CONNECTED TRANSFORMER BANK (FULL 3Ø POWER)



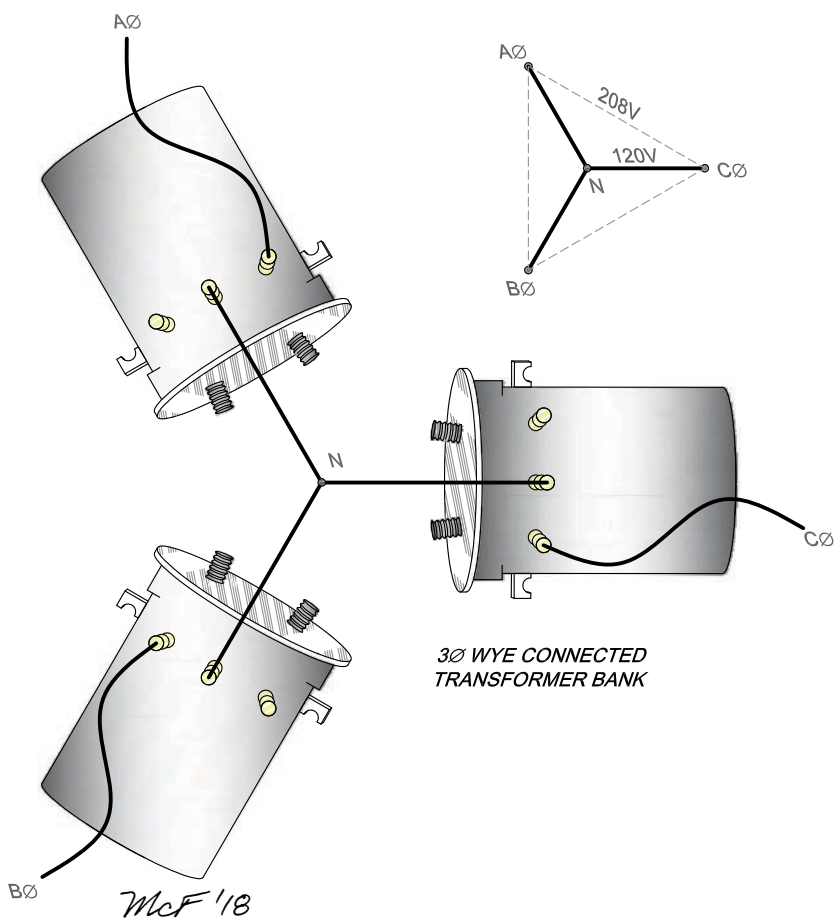
"H" OR "Y" - 3Ø, 4WIRE, 120/240V



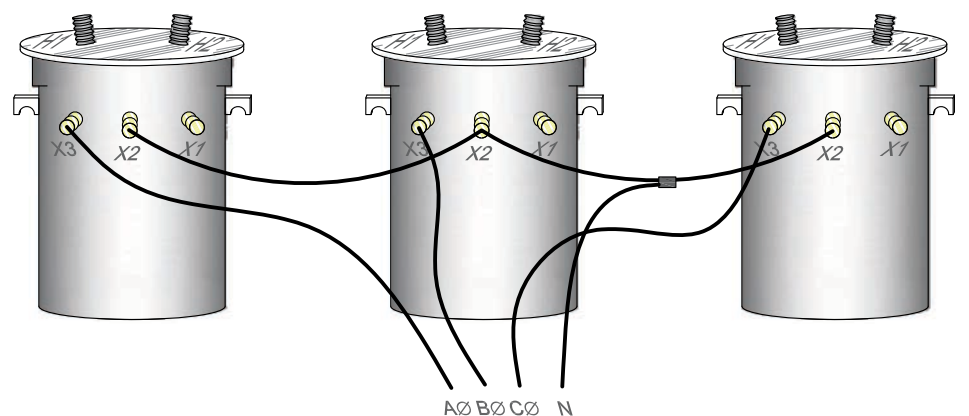
3Ø "OPEN" DELTA CONNECTED TRANSFORMER BANK (LOW 3Ø POWER)



"H" OR "Y" - 3Ø, 4WIRE, 120/240V



3Ø WYE CONNECTED TRANSFORMER BANK



"H" OR "Y" - 3Ø, 4WIRE, 120/208V

